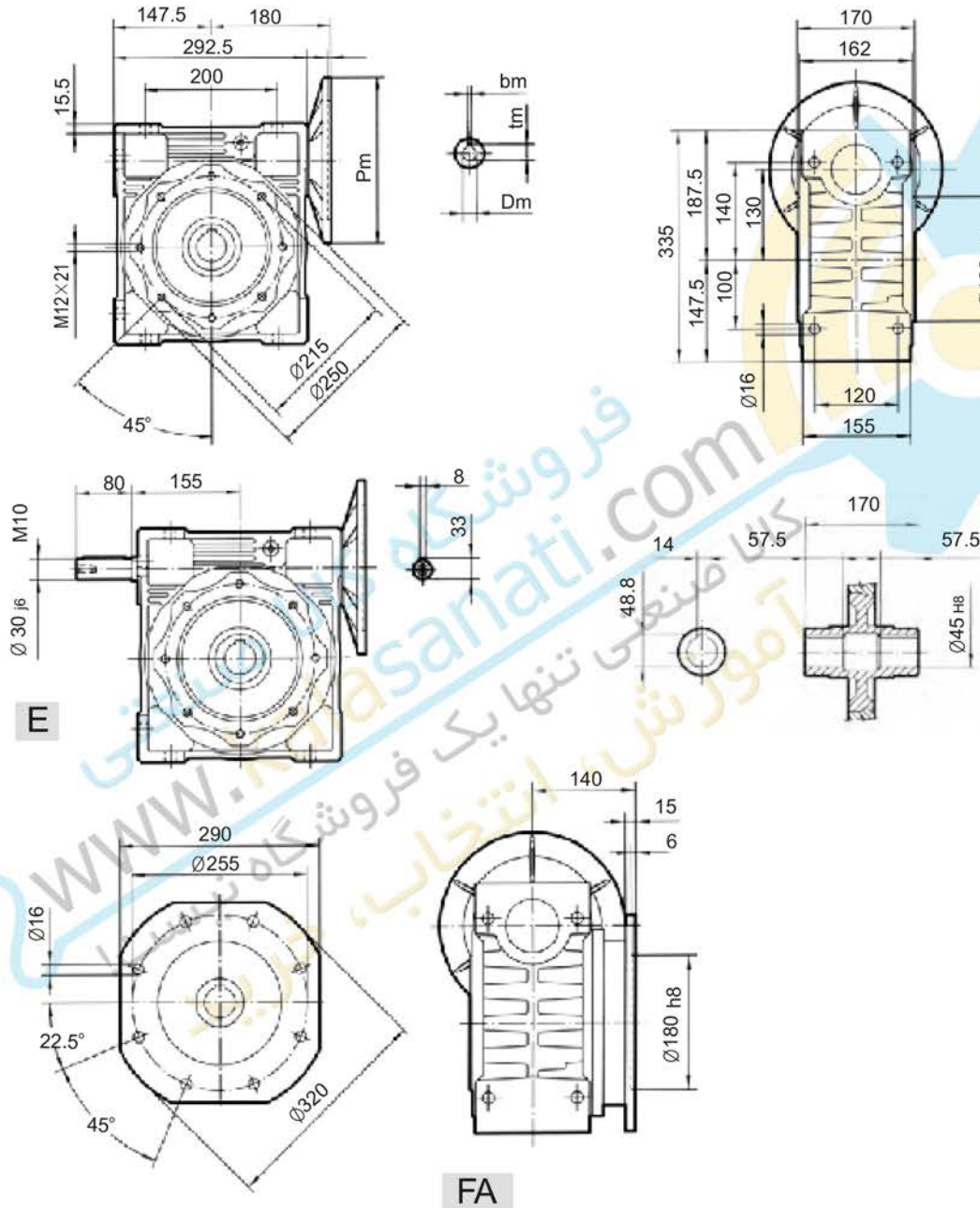


# ■ NMRV130

Weight without motor  $\approx 48\text{kg}$



PAM IEC	Pm	Dm E8	bm	tm
132B5	300	38	10	41.3
112B5	250	28	8	31.3
100B5	250	28	8	31.3
90B5	200	24	8	27.3